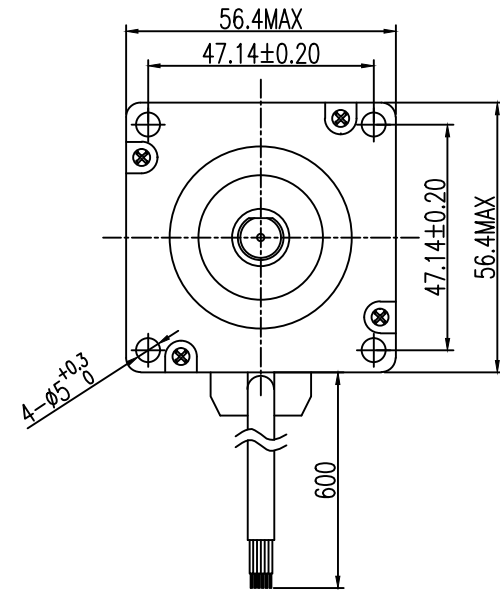
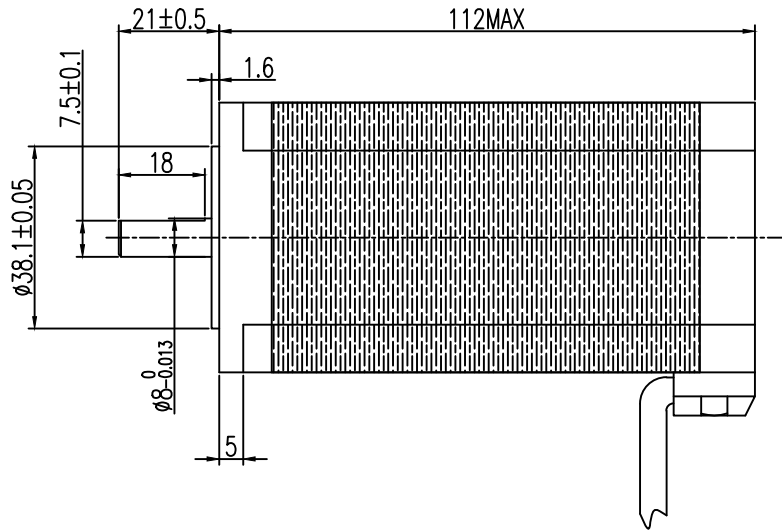


□ DIMENSIONS unit=mm

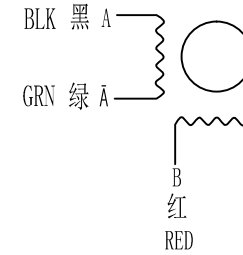


□ SPECIFICATIONS

| | |
|------------------------|-----------------|
| 步距角 /STEP ANGLE | 1.8° ±5% |
| 相数 /NO. OF PHASES | 2 |
| 额定电压 /RATED VOLTAGE | 3.36 V |
| 额定电流 /RATED CURRENT | 4.2 A |
| 电阻 /RESISTANCE | 0.8 Ω ±10% |
| 电感 /INDUCTANCE | 3.5 mH ±20% |
| 静转矩 /HOLDING TORQUE | 280 N.cm |
| 绝缘等级 /INSULATION CLASS | CLASS B(130° C) |
| 引出线规格 /LEAD STYLE | RVV 0.5mm² 电缆线 |

备注/NOTE:

接线图 / WIRING DIAGRAM



励磁顺序 (2相励磁)
EXCITING SEQUENCE (2EX)

| STEP | A | B | Ā | B̄ | |
|------|---|---|---|----|----------|
| 1 | + | + | - | - | CCW ↑ |
| 2 | - | + | + | - | |
| 3 | - | - | + | + | |
| 4 | + | - | - | + | |

| | | | | | | | |
|---|------------|-------------|-------------|-----------------|-------------------|--------------------|----------------------------------|
| 客户确认/接受 CONFIRMED/ACCEPTED BY CUSTOMER | | | | 型号/MODEL | | SL57S2112A08B-0821 | |
| 盖章/签名 (COMPANY CHOP/SIGNATURE) | | A | 18/09/18 | NO. A | 无 | CXZ | |
| 一般公差 TOLERANCE | ±0.3/±0.3* | 版本 REV | 年月日 DATE | 变更序号 ECO NO. | 变更内容 REVISIONS | 设计 BY | 备注 NOTE |
| 制图/DRAWN | 陈锡泽 | 比例 SCALE | 1:1 | 品名 TITLE | SHENLI | | 三视图 THIRD ANGLE PROJECTION |
| 设计/DESIGNED | | 单位 UNIT | mm | 深圳市申力微特电机有限公司 | | □ ⊕ | |
| 审核/CHECKED | | | | | | 页 SHEET | 1/1 |
| 承认/APPROVED | | | | | | | |