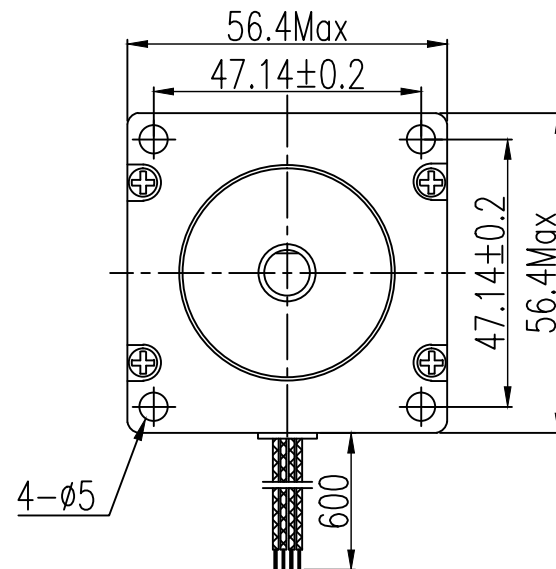
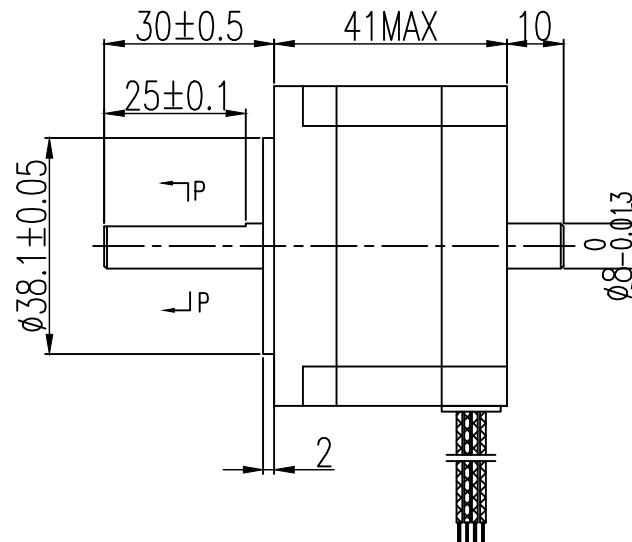
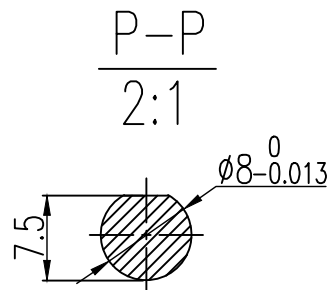


□ Dimension

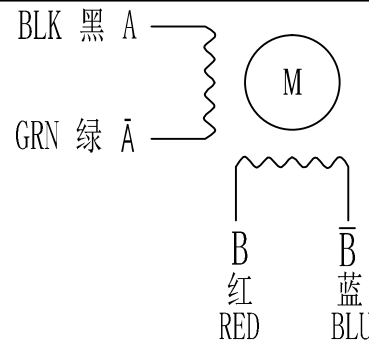


□ SPECIFICATIONS unit=mm

| | |
|------------------------|-----------------|
| 步距角 /STEP ANGEL | 1.8° ±5% |
| 相数 /NO. OF PHASES | 2 |
| 额定电压 /RATED VOLTAGE | 2.0 V |
| 额定电流 /RATED CURRENT | 2.0 A |
| 电阻 /RESISTANCE | 1.0 Ω ±10% |
| 电感 /INDUCTANCE | 1.8 mH±20% |
| 静转矩 /HOLDING TORQUE | 60N.cm |
| 绝缘等级 /INSULATION CLASS | CLASS B(130° C) |
| 引出线规格 /LEADSTYLE | AWG UL3266 |

备注/NOTE:

接线图 / WIRING DIAGRAM



励磁顺序 (2相励磁)
EXCITING SEQUENCE (2EX)

| STEP | 励磁 | | | | CCW |
|------|----|---|----|----|-----|
| | A | B | Ā | B̄ | |
| 1 | + | + | - | - | ↑ |
| 2 | - | + | + | - | |
| 3 | - | - | + | + | |
| 4 | + | - | - | + | |

| | | | | | | | |
|---|-----------|-----------------|-------------|-------------------|--|----------------------------------|---------|
| 客户确认&接受 CONFIRMED&ACCEPTED BY CUSTOMER | | | | | 型号/MODEL: | SL57S241A1D8-3010 | |
| 盖章&签名 (COMPANY CHOP&SIGNATURE) | | | | 无 | CXZ | | |
| 一般公差 TOLERANCE ±0.3/±0.3° | 版本 REV | 变更番号 ECO NO. | 年月日 DATE | 变更内容 REVISIONS | 设计 BY | 备注 NOTE | REV A |
| 制图/DRAWN | 陈锡泽 | | 比例 SCALE | 1:1 | 品名 TITLE | 三视图 THIRD ANGLE PROJECTION | |
| 设计/DESIGNED | | | 单位 UNIT | mm | 深圳市申力微特电机有限公司 SHENZHEN SHENLI WITT MOTOR CO., LTD | | 1/1 |
| 审核/CHECKED | | | | | | | |
| 承认/APPROVED | | | | | | | |

