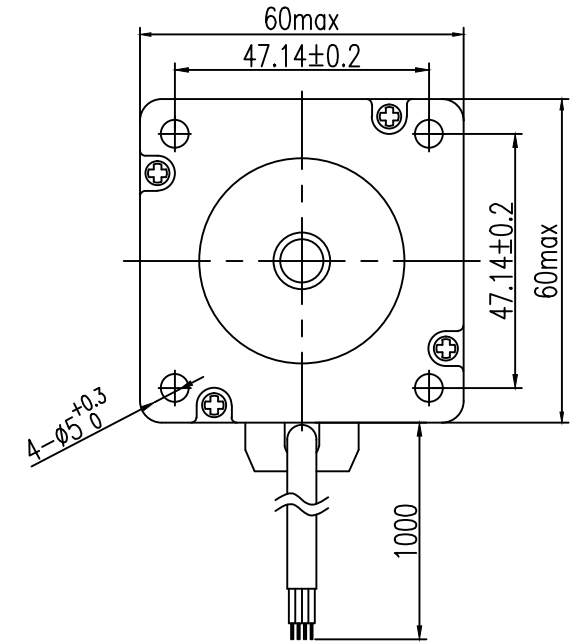
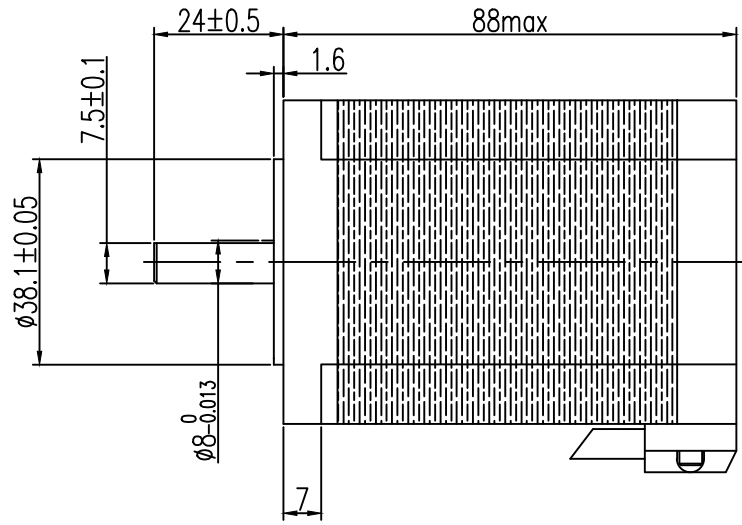


□ DIMENSIONS unit=mm

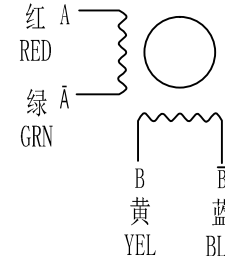


□ SPECIFICATIONS

| | |
|------------------------|-----------------|
| 步距角 /STEP ANGLE | 1.8° ±5% |
| 相数 /NO. OF PHASES | 2 |
| 额定电压 /RATED VOLTAGE | 4.2 V |
| 额定电流 /RATED CURRENT | 2.8 A |
| 电阻 /RESISTANCE | 1.5 Ω±10% |
| 电感 /INDUCTANCE | 4.0 mH±20% |
| 静转矩 /HOLDING TORQUE | 260 N.cm |
| 绝缘等级 /INSULATION CLASS | CLASS B(130° C) |
| 引出线规格 /LEAD STYLE | RVV 0.5mm² 电缆线 |

备注/NOTE:

接线图 / WIRING DIAGRAM



励磁顺序 (2相励磁)
EXCITING SEQUENCE (2EX)

| STEP | A | B | Ā | B̄ | CW |
|------|---|---|----|----|----|
| 1 | + | + | - | - | ↑ |
| 2 | - | + | + | - | |
| 3 | - | - | + | + | |
| 4 | + | - | - | + | |

| | | | | | | |
|---|-------------|----------|----------|--------------------|---------|-----|
| 客户确认及接受 CONFIRMED/ACCEPTED BY CUSTOMER | | 型号/MODEL | | SL60S288A105B-0824 | | |
| 盖章/签名 (COMPANY CHIEF SIGNATURE) | | 日期/DATE | 18/09/04 | 变更内容/REV. NO. | 无 | |
| 一般公差 TOLERANCE | ±0.3, ±0.3' | 版本/REV | A | 设计/DESIGNED BY | CXZ | |
| 制图/DRAWN | 陈锡泽 | 比例/SCALE | 1:1 | 品名/TITLE | | |
| 设计/DESIGNED | | 单位/UNIT | mm | 备注/NOTE | | |
| 审核/CHECKED | | | | REV | A | |
| 承认/APPROVED | | | | 深圳市申力微特电机有限公司 | | |
| | | | | | 页/SHEET | 1/1 |



三视图
THIRD ANGLE
PROJECTION

